



MARCH PUMPS

1819 PICKWICK AVE., GLENVIEW, IL 60026-1306, U.S.A
 PHONE: (847) 729-5300 - FAX: (847) 729-7062
 WWW.MARCHPUMP.COM

DP-6T-MD, TE-6K-MD DP-6K-MD, TE-6T-MD

DESCRIPTION:

Series 6 are centrifugal magnetic drive pumps, eliminating the need for a shaft seal. Pumps can be serviced with an adjustable wrench. See the parts list for a breakdown of parts.

OPERATION:

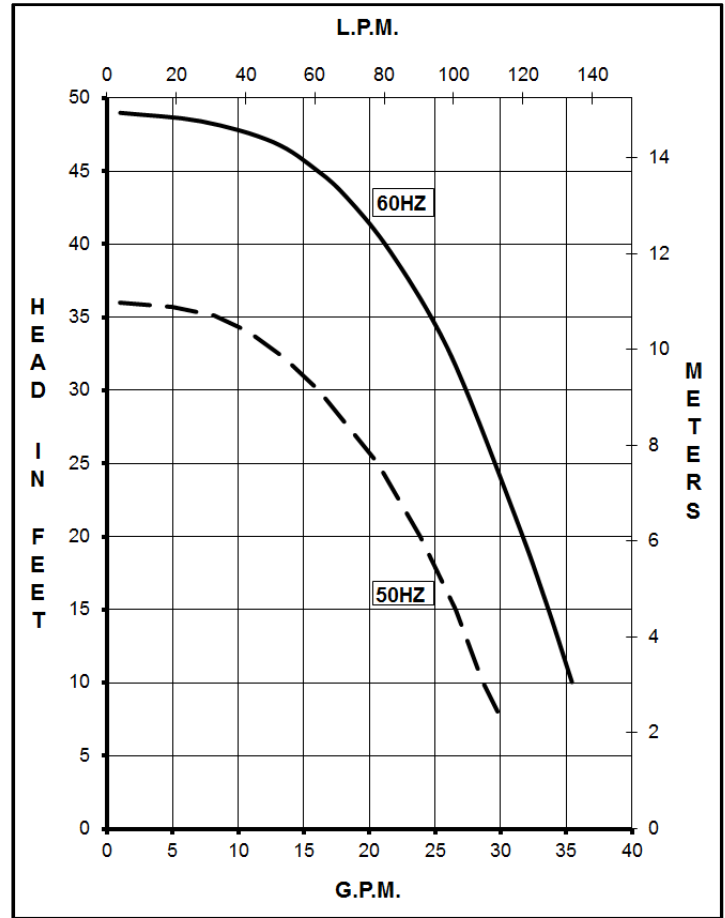
Pumps are not self-priming, lack a suction lift, and thus require a flooded suction. Pumps **cannot be run dry** because the impeller requires the liquid being pumped for lubrication. The direction of motor rotation should be clockwise when facing the inlet of the pump. For liquids with a specific gravity greater than water, have a higher viscosity, or for elevated temperatures, a trimmed impeller may be necessary. For application assistance, contact March Pump.

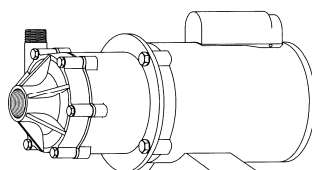
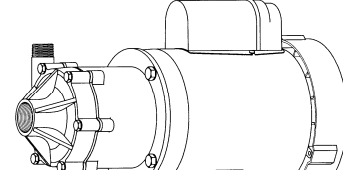
ELECTRICAL:

DP-6-MD pumps are 115/230V, 1 phase, drip proof.
 TE-6-MD pumps are 115/230V, 1 phase or 230/460V, 3 phase, TEFC.

LIMITED WARRANTY:

March pumps are guaranteed only against defects in workmanship or materials for a period of one year from date of manufacture pumping water. For the complete warranty and to register online go to www.marchpump.com/warranty-registration



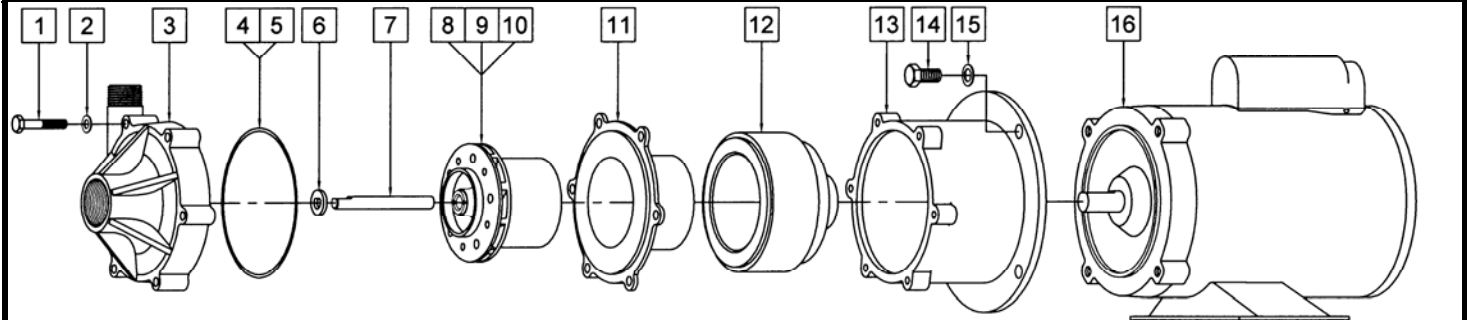
SPECIFICATIONS	DP-6T-MD		DP-6K-MD		TE-6T-MD		TE-6K-MD		
									
Model Abbreviations	T: Ryton & Polypropylene		K: Kynar		T: Ryton & Polypropylene		K: Kynar		
Max Flow	60Hz - 50Hz		38 gpm - 113.5 lpm		38 gpm - 113.5 lpm		38 gpm - 113.5 lpm		
Max Head	60Hz - 50Hz		49 ft / 21.2 psi - 11 m		49 ft / 21.2 psi - 11 m		49 ft / 21.2 psi - 11 m		
Inlet - Outlet			1" FPT - 3/4" MPT		1" FPT - 3/4" MPT		1" FPT - 3/4" MPT		
Max Internal Pressure	50 psi / 3.4 bar		75 psi / 5 bar		50 psi / 3.4 bar		75 psi / 5 bar		
Max Liquid Temperature	190°F / 87°C		200°F / 93°C		190°F / 87°C		200°F / 93°C		
Motor Type	60Hz DP: Drip Proof				60Hz Totally Enclosed Fan Cooled				
Rating / Duty	U.L. listed motor / Continuous				U.L. listed motor / Continuous				
1Ph	115V 230V	Watts - Amps	790 - 7.4		795 - 7.4		555 - 8.4		
		Hp / Kw - Rpm	790 - 3.7		795 - 3.7		555 - 4.2		
			1/2 - 3450		1/2 - 3450		0.279 - 2850		
3Ph	230V 460V	Watts - Amps	700 - 1.5		700 - 1.5		480 - 1.7		
		Hp / Kw - Rpm	700 - 0.7		700 - 0.7		480 - 0.8		
			1/2 - 3450		1/2 - 3450		0.372 - 2850		
Electrical Connection	Junction Box				Conduit Box				
Overall Pump Size (H x W x L)	1Ph	7.79" x 6.54" x 15.14" (19.7 cm x 16.6 cm x 38.4 cm)			8.94" x 8.96" x 15.78" (22.7 cm x 22.7 cm x 40.0 cm)				
	3Ph				7.34" x 8.96" x 15.28" (18.6 cm x 22.7 cm x 38.8 cm)				
Packed Weight	1Ph	24.75 lbs / 11.22 kg		24.50 lbs / 11.11 kg		28.85 lbs / 13.08 kg		28.60 lbs / 12.97 kg	
	3Ph					28.20 lbs / 12.79 kg		27.95 / 12.67 kg	
Materials in Contact With Solution:	DP-6T-MD & TE-6T-MD: Polypropylene, Ryton, Viton, Ceramic, Ryton/TEflon/Carbon				DP-6K-MD & TE-6K-MD: Kynar/Carbon Filled, Viton, Ceramic, Carbon				

All specifications & data are based on pumping water & are intended as a guideline only. Specifications may vary with different motors.

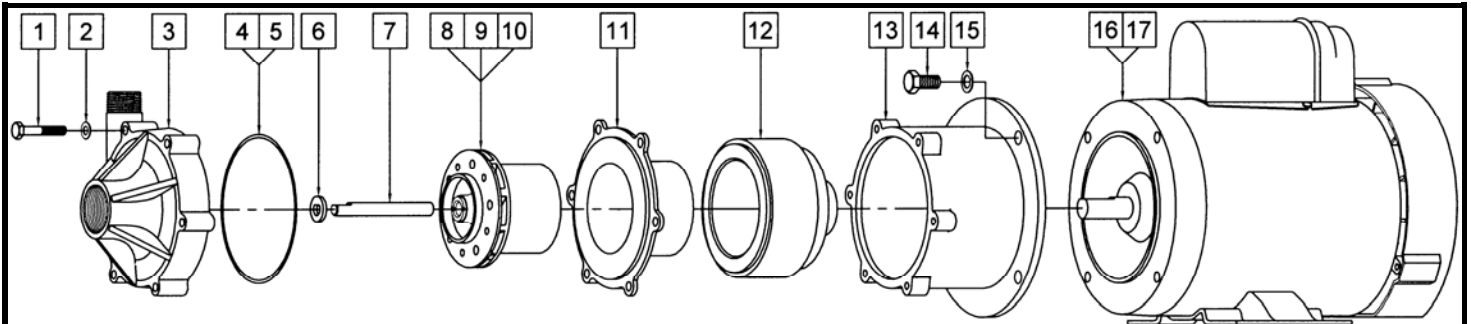
NOTE: When replacing impeller bushings in the field, the plastic bushings must be bored to size after they have been pressed into the impeller. Bore to 0.379/0.381 inches I.D. The carbon and ceramic bushings are to finished size and do not require boring after assembly.

When attaching the Drive Magnet to the motor shaft, position the face of the Drive Magnet 3/32 inch below the face of the Motor Bracket.

PARTS LIST



#	DESCRIPTION	DP-6T-MD	DP-6K-MD	SIZE (Inches)	QTY.	DP-6T-MD	DP-6K-MD
1	Screw		Stainless	1/4-20 x 1-3/4 Lg.	6	0153-0064-1000	
2	Washer		Stainless	1/4 ID x 1/2 OD	6	0155-0021-1000	
3	Front Housing	Ryton	Kynar		1	0153-0002-1000	0153-0042-1000
4	"O" Ring		Viton	3/32 CS x 4-7/16 OD	1	0153-0015-1000	
5	"O" Ring (Option)		Viton/Teflon	3/32 CS x 4-7/16 OD	1	0153-0024-1000	
6	Thrust Washer		Ceramic		1	0155-0009-1000	
7	Shaft		Ceramic		1	0153-0007-1000	
8	Impeller w/Ryton/Teflon/Carbon Bushing	Polypropylene	Kynar (Option)		1	0153-0003-0400	0153-0043-0400
9	Impeller w/Carbon Bushing	Polypropylene (Option)	Kynar		1	0153-0003-0500	0153-0043-0500
10	Impeller w/Mica Teflon Bushing	Polypropylene (Option)	Kynar (Option)		1	0153-0003-0900	0153-0043-0900
11	Rear Housing w/Ceramic Thrust Washer	Ryton	Kynar		1	0153-0005-0100	0153-0041-0100
12	Drive Magnet				1	0153-0035-0100	
13	Motor Bracket		Plastic		1	0153-0001-0100	
14	Screw		Stainless	3/8-16 x 3/4 Lg.	4	0155-0017-1000	
15	Washer		Stainless	3/8 ID x 5/8 OD	4	0155-0019-1000	
16	Motor, Drip Proof, 115/230V, 60Hz, 1 Phase				1	0153-0027-1000	
W	Wet End Kit	1,2,3,4,6,7,8,11	1,2,3,4,6,7,9,11		1	0153-0056-0100	0153-0057-0100



#	DESCRIPTION	TE-6T-MD	TE-6K-MD	SIZE (Inches)	QTY.	TE-6T-MD	TE-6K-MD
1	Screw		Stainless	1/4-20 x 1-3/4 Lg.	6	0153-0064-1000	
2	Washer		Stainless	1/4 ID x 1/2 OD	6	0155-0021-1000	
3	Front Housing	Ryton	Kynar		1	0153-0002-1000	0153-0042-1000
4	"O" Ring		Viton	3/32 CS x 4-7/16 OD	1	0153-0015-1000	
5	"O" Ring (Option)		Viton/Teflon	3/32 CS x 4-7/16 OD	1	0153-0024-1000	
6	Thrust Washer		Ceramic		1	0155-0009-1000	
7	Shaft		Ceramic		1	0153-0007-1000	
8	Impeller w/Ryton/Teflon/Carbon Bushing	Polypropylene	Kynar (Option)		1	0153-0003-0400	0153-0043-0400
9	Impeller w/Carbon Bushing	Polypropylene (Option)	Kynar		1	0153-0003-0500	0153-0043-0500
10	Impeller w/Mica Teflon Bushing	Polypropylene (Option)	Kynar (Option)		1	0153-0003-0900	0153-0043-0900
11	Rear Housing w/Ceramic Thrust Washer	Ryton	Kynar		1	0153-0005-0100	0153-0041-0100
12	Drive Magnet				1	0153-0035-0100	
13	Motor Bracket		Plastic		1	0153-0001-0100	
14	Screw		Stainless	3/8-16 x 3/4 Lg.	4	0155-0017-1000	
15	Washer		Stainless	3/8 ID x 5/8 OD	4	0155-0019-1000	
16	Motor, TEFC, 115/230V, 50/60Hz, 1 Phase				1	0153-0019-1000	
17	Motor, TEFC, 230/460V, 50/60Hz, 3 Phase (Not Shown)				1	0153-0020-1000	
W	Wet End Kit	1,2,3,4,6,7,8,11	1,2,3,4,6,7,9,11		1	0153-0056-0100	0153-0057-0100

Explosion proof and special voltage motors are available upon special order.

NOTE: Contact Factory for other materials and/or parts not listed.

0153-0018-1000 R21